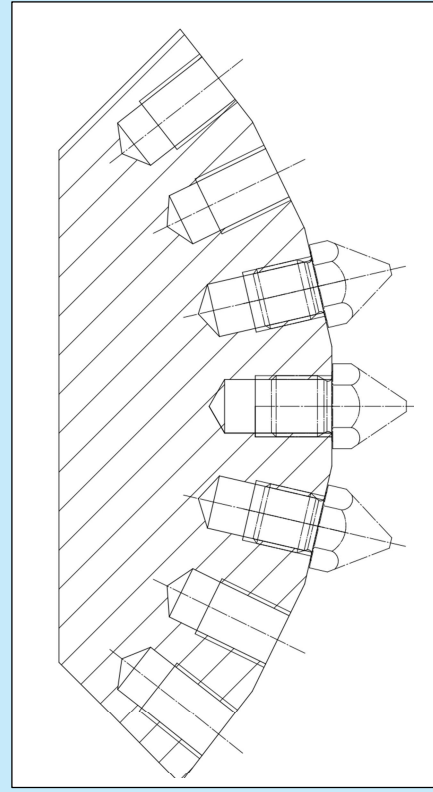
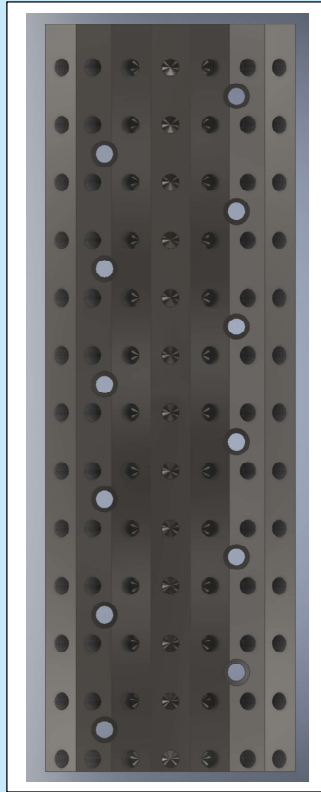
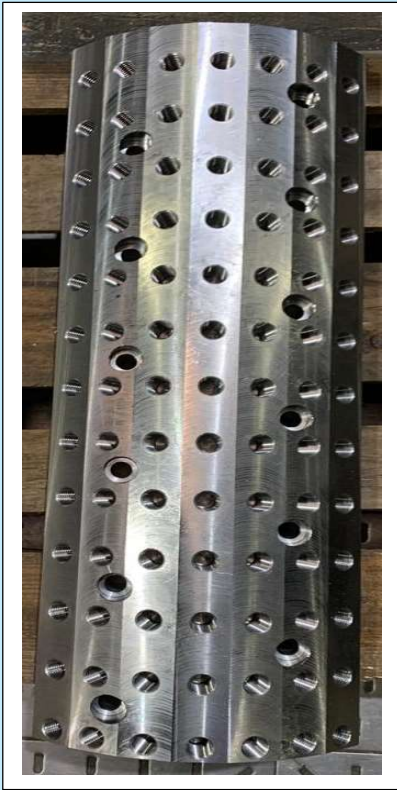


Edition: 009.20-06



Product catalogue

PHT – Infeed rollers segment version with spikes

Due to the requirements of the market, we have developed the infeed roller segments also in spike design. The new segments in spike design can be mounted on the square shafts immediately without any further changes.

For use it is only necessary to use scraper combs in the housing and swing that are suitable for this design.

- ▶ Easy conversion from standard feed rollers to spike design
- ▶ Improved feeding of feed material
- ▶ Longer service life
- ▶ Cheaper spare parts
- ▶ Easy replacement of wear parts
- ▶ Also suitable for frozen feed material
- ▶ Overloading the main motor is reduced

Contact: Modernisierung@pallmann.eu