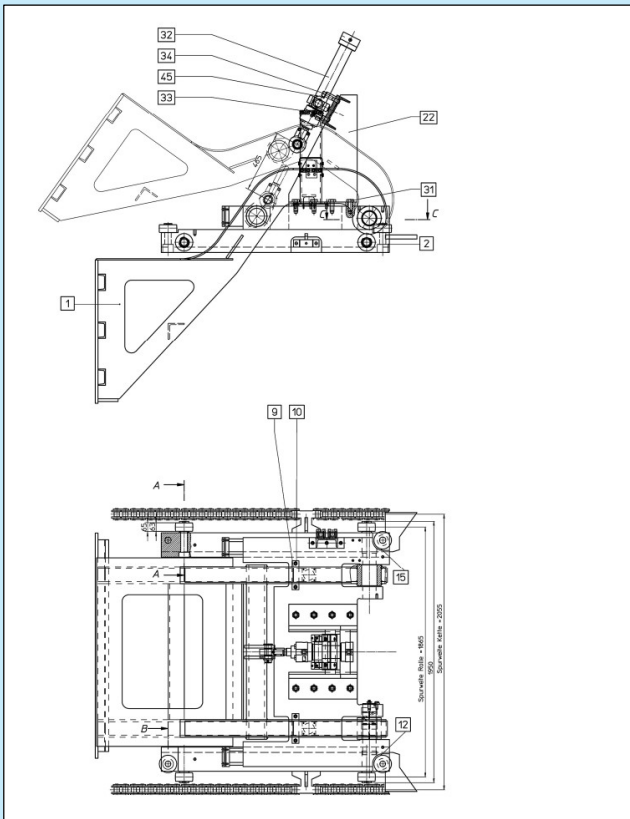


Edition: 007.20-05



## Product catalogue

### OSB – Log Pusher hydraulic

The push plate is pivoted up and down with the help of a hydraulic cylinder. No more “Concorde” or rear deflection are required. The total weight of the “Log Pusher” is reduced by approx. 3000 kg. No more heavy impact when swivelling the push plate.

- ▶ Reduction of the mechanical load on the Batch feeder
- ▶ Less wear on the Log Pusher
- ▶ Precise control and fast loading possible by immersing the log pusher shield in any position

The log pusher conveys the packages of wood from an OSB system to the chipper. In conventional Design, the sign of the logpusher is moved up and down by driving through deflections. With the new Logpusher, the blade is moved hydraulically and can therefore be moved up and down in any position.

Contact: [Modernisierung@pallmann.eu](mailto:Modernisierung@pallmann.eu)