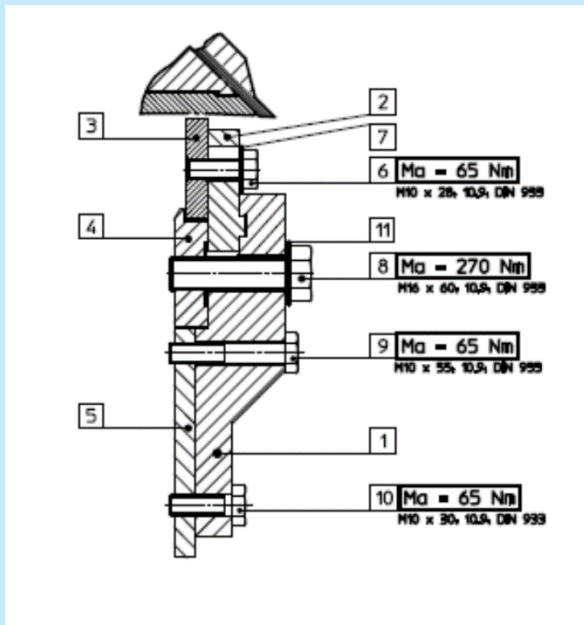
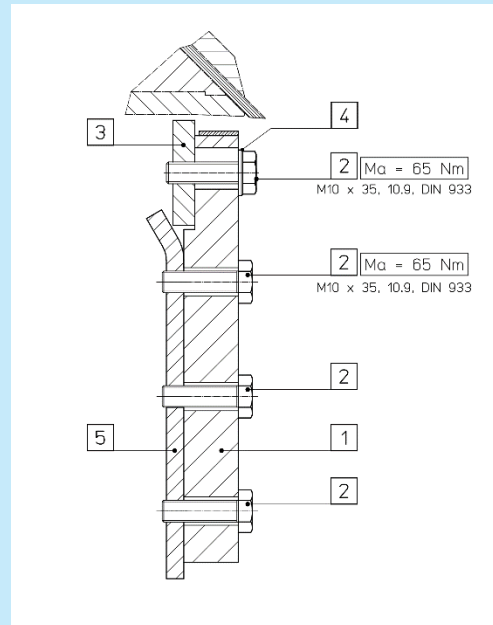


Edition: 003.20-02

Impeller Type IV



Impeller Type VII

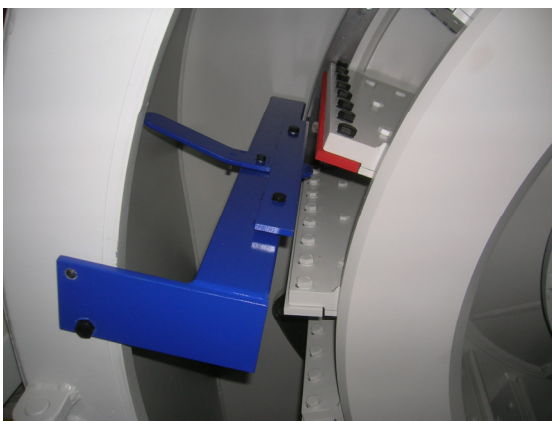


Product catalogue

Particle Board– 12-450/14-450/15-500 Impeller of PZKR

The new impeller Type VII is available for all design sizes of Pallmann Flakers Type PZKR, PZE, PZK.

The adjustment is inside the machine.



Impeller Type VII

- ▶ Easy and quick adjustment inside the machine
- ▶ More precise gap adjustment for constant flake quality
- ▶ Available as "longlife" version
- ▶ Less wear parts
- ▶ Replaceable with a small modification

Contact: harald.widmann@pallmann.eu